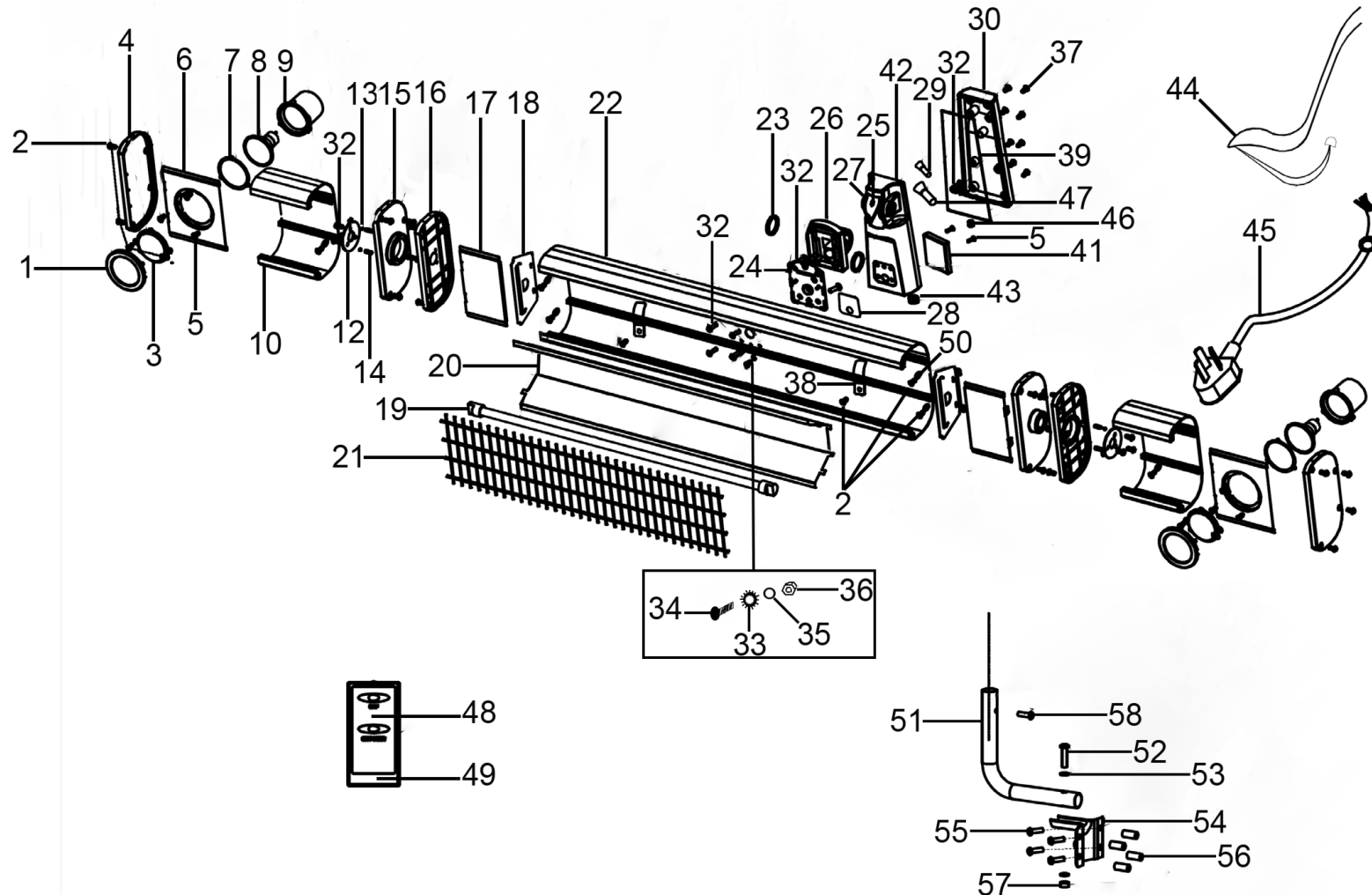




Parts Information:
High Efficiency Carbon Fibre Infrared Wall Heater 1800W/230V with LED Lights
Model No: IWMH1809LR



NOTE: It is our policy to continually improve products and as such we reserve the right to alter data, specifications and component parts without prior notice.

There may be alternative versions of this product, please contact us should you require this information.

IMPORTANT: No liability is accepted for incorrect use of product. Spare parts must be fitted by a competent person

WARRANTY: Guarantee is 12 months from purchase date, proof of which will be required for any claim.

Sealey Group, Kempson Way, Suffolk Business Park, Bury St Edmunds, Suffolk. IP32 7AR



01284 757500



01284 703534



sales@sealey.co.uk



www.sealey.co.uk



Parts Information:
**High Efficiency Carbon Fibre Infrared Wall
Heater 1800W/230V with LED Lights**
Model No: IWM1809LR

Item	Part No.	Description
1	IFSH1809LR.01	Deco. Ring, LED
2	IWMH1809R.01	Rd Head S/T Screw M3 x 10mm, Security
3	IFSH1809LR.03	Lens
4	IWMH1809R.02	Side Cover
5	SA44.V3-02	Rd Head S/T Screw M3 x 8mm, Flat End
6	IFSH1809LR.06	Panel, LED
7	IFSH1809LR.07	Seal Ring, LED
8	IFSH1809LR.08	LED Assembly
9	IFSH1809LR.09	Bracket, LED
10	IFSH1809LR.10	Housing, LED
12	IFSH1809LR.12	Disc
13	SB-3.2	Steel Ball
14	IFSH1809LR.14	Spring
15	IFSH1809LR.15	LED Hinge A
16	IFSH1809LR.16	LED Hinge B
17	IWMH1809R.03	Heater Panel
18	IWMH1809R.04	Bracket, Reflector
19	IWMH1809R.05	Heating Element
20	IWMH1809R.06	Reflector
21	IWMH1809R.07	Guard
22	IWMH1809R.08	Heater Housing
23	IWMH1809R.10	Seal Ring, Hinge
24	IWMH1809R.11	Hinge Cover
25	IWMH1809R.14	Half Nut M8
26	IWMH1809R.12	Hinge
27	MSP840.S	Machine Screw Pan Head Phillips M8 x 40mm
28	IWMH1809LR.28	Label, PVC
29	IWMH1809R.16	Connector Cap
30	IWMH1809R.17	Cover, Control Box
32	IWMH1809R.42	Rd Head S/T Screw M3.8 X 10mm

Item	Part No.	Description
33	TS10SEW.121	Ext Tooth Washer M4
34	IWMH1809R.35	Screw M4 x 10mm
35	SWM4.S	Spring Washer M4
36	SN4.S	Steel Nut M4
37	IWMH1809R.24	Rd Head S/T Screw M4 x 14mm, Security
38	IWMH1809R.21	Internal Wiring Clip
39	IWMH1809R.26	Seal Ring
41	IWMH1809LR.41	PCB, Remote Control Receiver
42	IWMH1809R.29	Control Box
43	IWMH1809R.30	Cord Bush
44	IWMH1809LR.44	Internal Wiring Assembly
45	MC3CX1.0R	Mains Cable
46	IWMH1809R.44	Plastic Plug
47	IWMH1809R.43	Connector Cap
48	IWMH1809LR.48	Label, Remote Control
49	IWMH1809R.45	Upper Housing, Remote Control
50	IWMH1809R.41	Ext Tooth Washer M3, Black
51	IWMH1809R.18	Tube, L-Shaped
52	MSP632.S	Machine Screw Pan Head Phillips M6 x 32mm
53	IWMH1809R.23	Washer M2
54	IWMH1809R.25	Bracket, Tube
55	IWMH1809R.33	Rd Head S/T Screw M4 x 30mm
56	IWMH1809R.39	Plastic Plug
57	SN6.S	Steel Nut M6
58	MSP615.S	Machine Screw Pan Head Phillips M6 x 15mm
--	IWMH1809R.20	Cord Clamp (Not Shown)
--	SMC01.V2-04	Rd Head S/T Screw M3 X 6, Flat End (Not Shown)
--	IWMH1809R.46	Lower Housing, Remote Control (Not Shown)
--	IWMH1809R.47	Battery Cover (Not Shown)
--	IWMH1809R.48	PCB, Remote Control (Not Shown)

NOTE: It is our policy to continually improve products and as such we reserve the right to alter data, specifications and component parts without prior notice. There may be alternative versions of this product, please contact us should you require this information.

IMPORTANT: No liability is accepted for incorrect use of product. Spare parts must be fitted by a competent person

WARRANTY: Guarantee is 12 months from purchase date, proof of which will be required for any claim.

Sealey Group, Kempson Way, Suffolk Business Park, Bury St Edmunds, Suffolk. IP32 7AR



01284 757500



01284 703534



sales@sealey.co.uk



www.sealey.co.uk